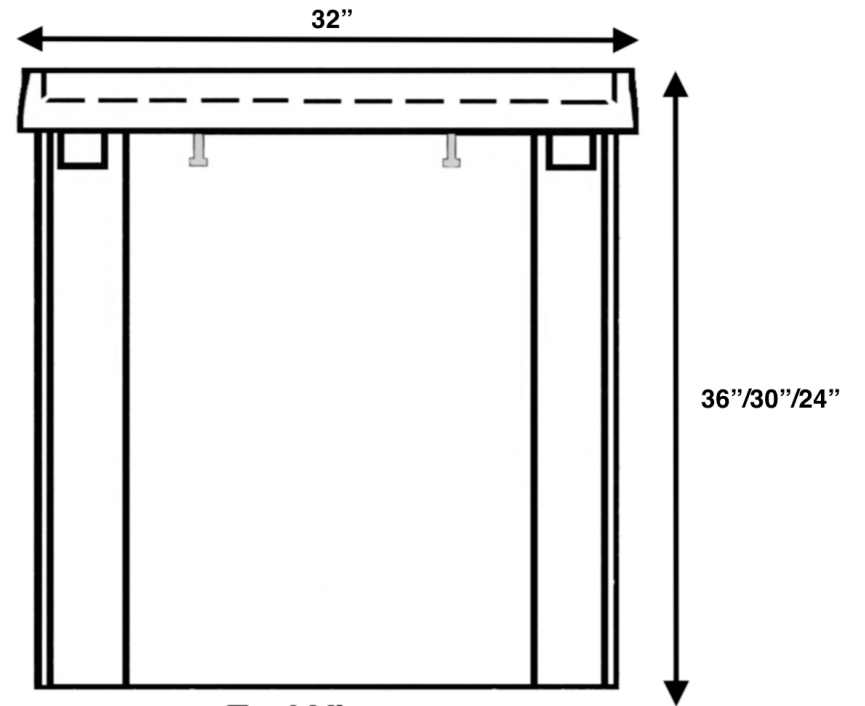
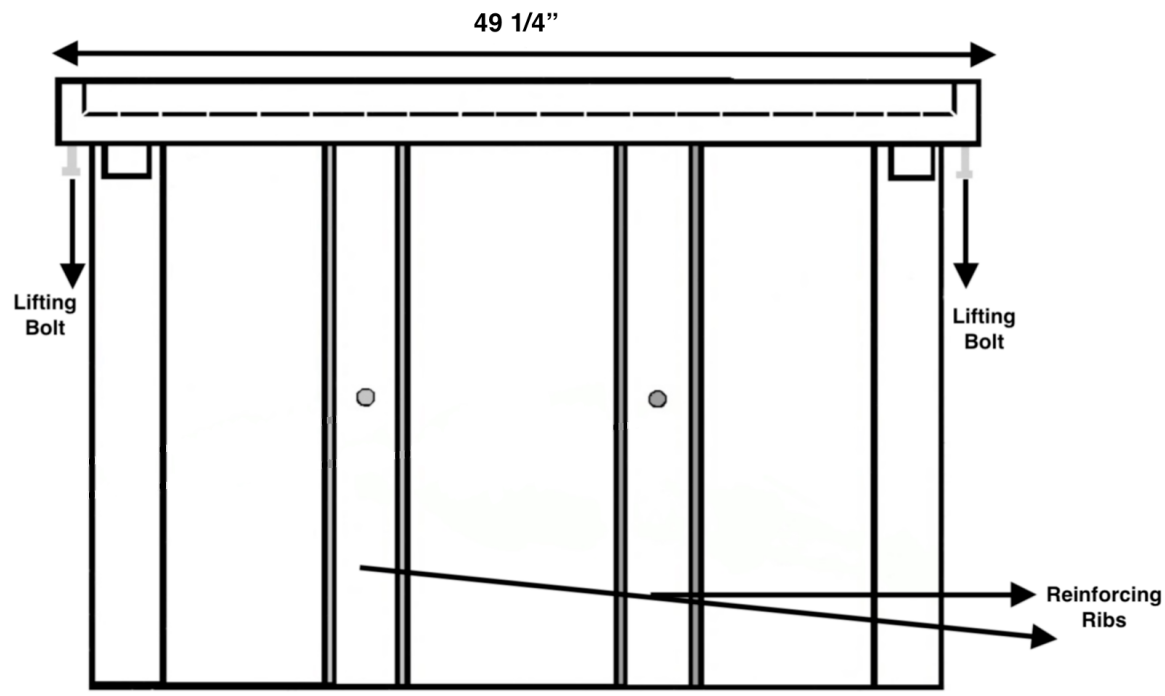
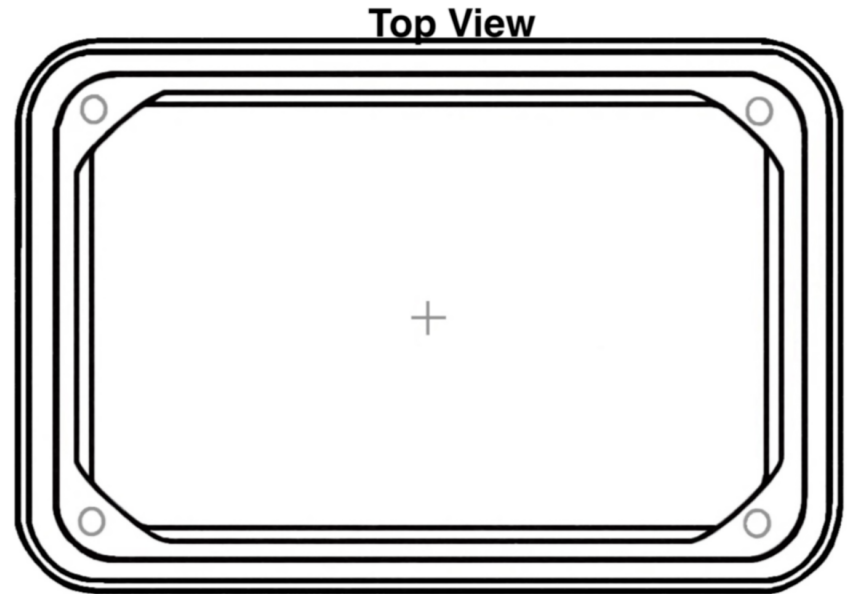
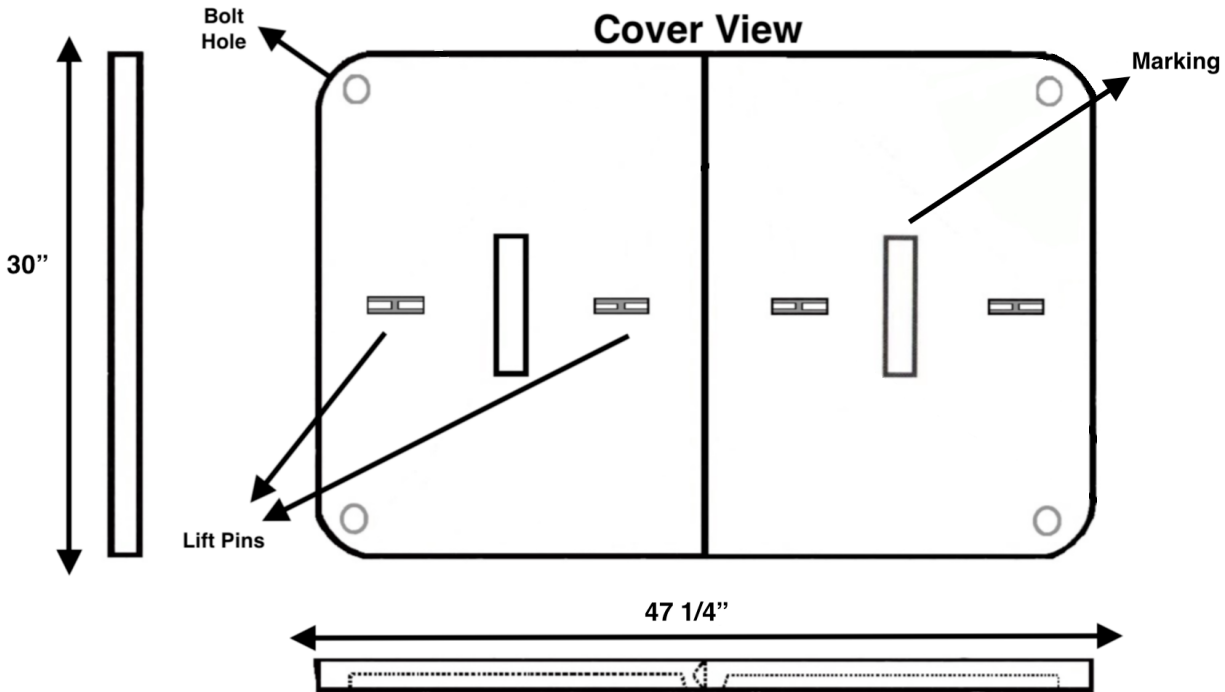


# APC 304836 Polymer Concrete Box & Cover



Loading Requirements  
Vertical  
Design Load: 22,500 lbs  
Test Load: 33,750 lbs

Lateral  
Design Load: 800 lbs/sq. ft.  
Test Load: 1,200 lbs/sq. ft.

<b>Part No. APC304836</b>
<b>Body: Polymer Concrete</b>
<b>Cover: Polymer Concrete</b>
<b>Weight: 640 lbs Tolerance: +/- 1/8"</b>
<b>Material: Polymer Concrete</b>
<b>Standard Color: Gray</b>
<b>Tier 22</b>

**JH American Enclosures**  
Made from over 30 years of experience  
**PO Box 330596**  
**Fort Worth, TX 76163**  
**jh\_american@yahoo.com**