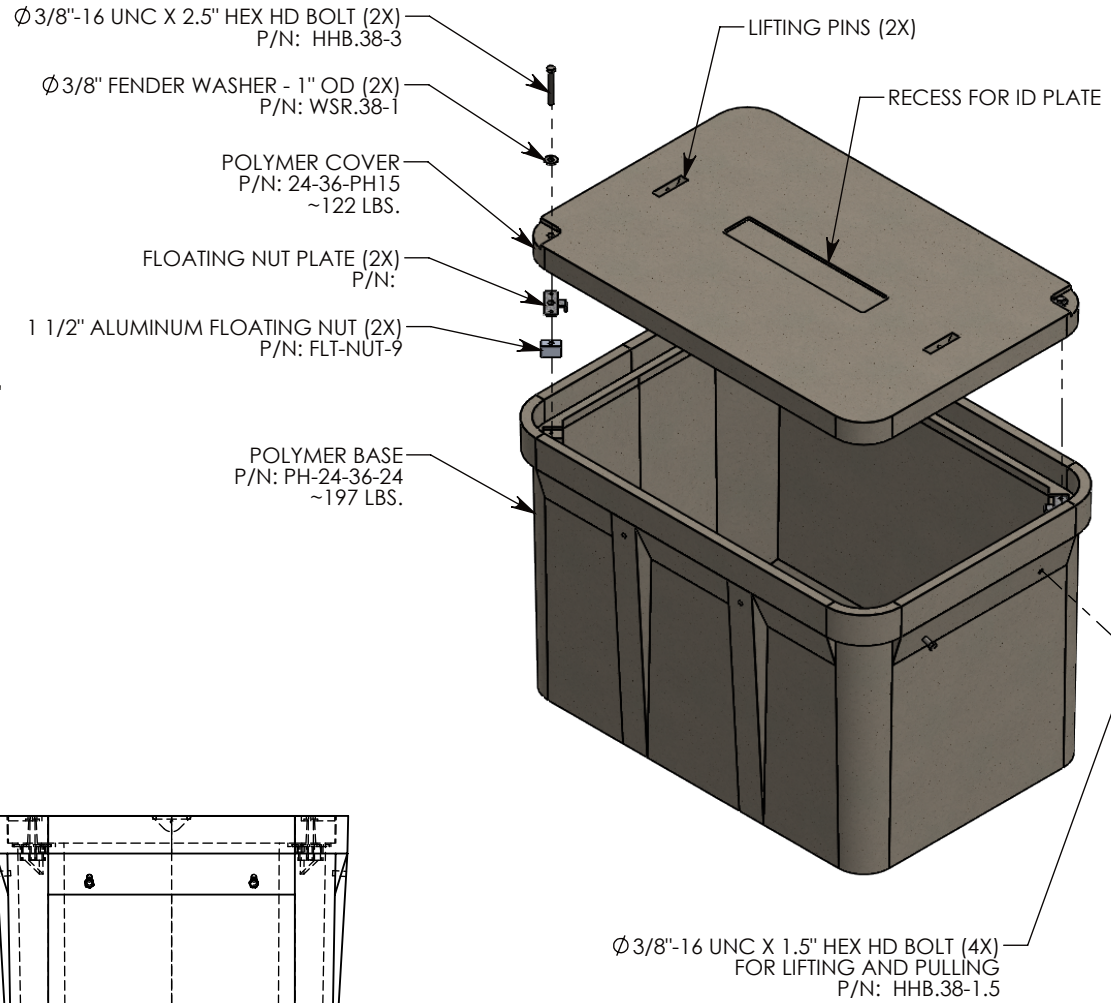
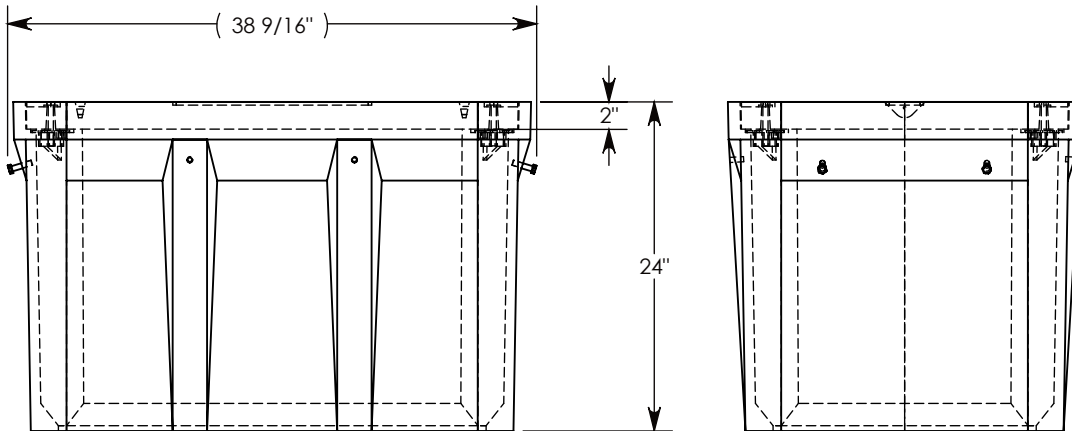
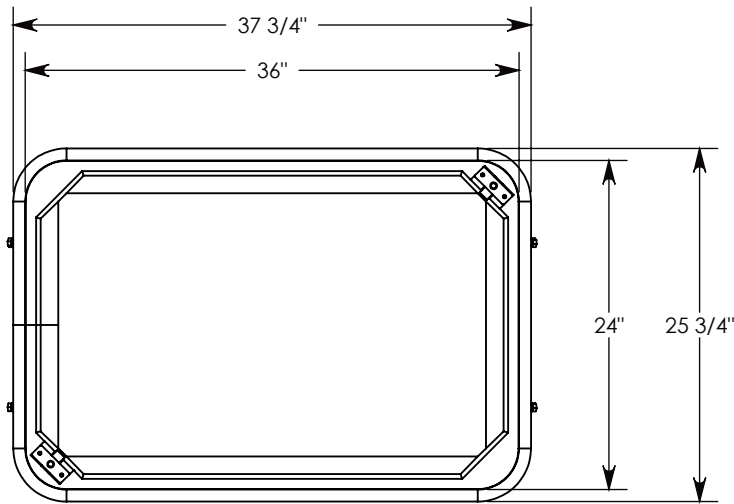


REV. A - BLT - 4/14/2022 - CHANGED FLOATING NUT SIZE FROM 2" TO 1 1/2"; UPDATED DESCRIPTION & TRAFFIC NOTE  
 REV. B - BLT - 4/19/2022 - ADDED HHB.38-3 (4X) TO SUPPLIED PARTS & ADDED TO SHORT SIDE.



TIER 15 RATED:  
 VERTICAL DESIGN LOAD 15,000 LBS  
 VERTICAL TEST LOAD 22,500 LBS

<b>DRAWN BY: BRIAN TOLLEFSON</b>	
<b>CREATED DATE: 3/28/2022</b>	<b>REVISION LEVEL: B</b>
<b>SAVED DATE: 4/19/2022</b>	<b>SAVED BY: btollefson</b>
<b>WEIGHT: 329 LBS.</b>	<b>MATERIAL: NOTED</b>



1010 NORTH STAR DRIVE  
 P.O. BOX 69  
 ZUMBROTA, MN 55992-0069

<b>DESCRIPTION:</b>		SHEET 1 OF 2
<b>POLYMER CONCRETE HAND HOLE</b>		
DIMENSIONS ARE IN INCHES	CONTACT INFORMATION:	
TOLERANCES:	EMAIL: INFO@CONCASTINC.COM	
FRACTIONAL: $\pm 1/8$ "	PHONE: (507) 732-4095	
ANGULAR: $\pm 2^\circ$	FAX: (507) 732-4094	
<b>PART NUMBER:</b>		
<b>PH15-24-36-24</b>		